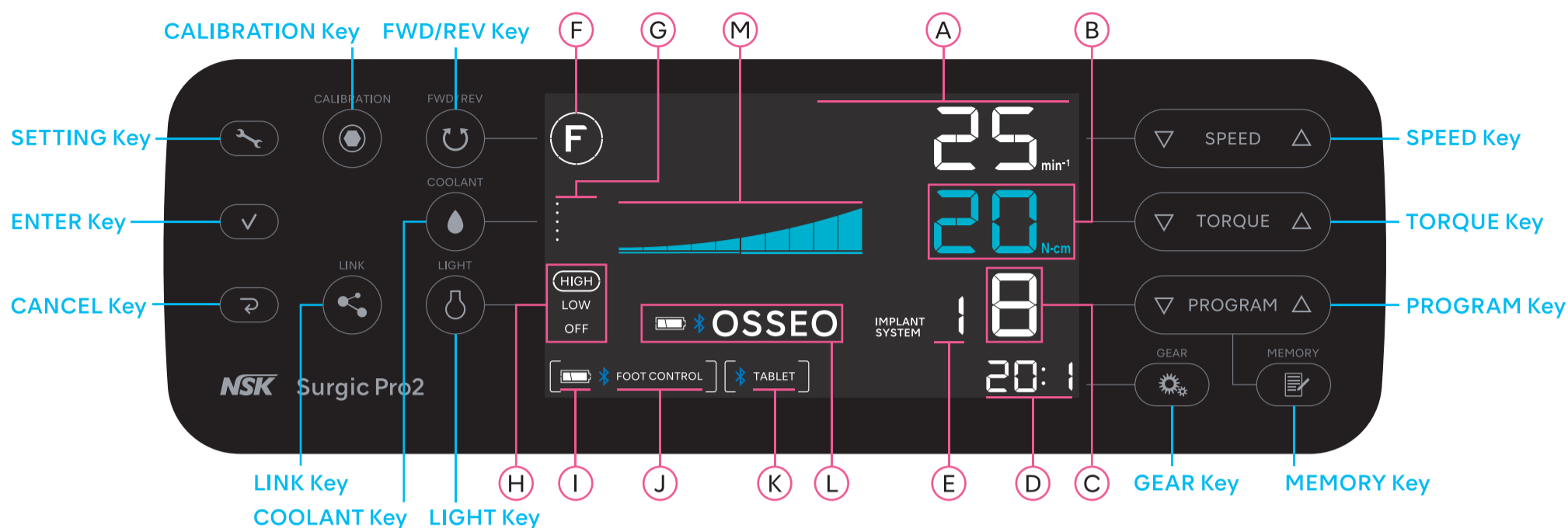
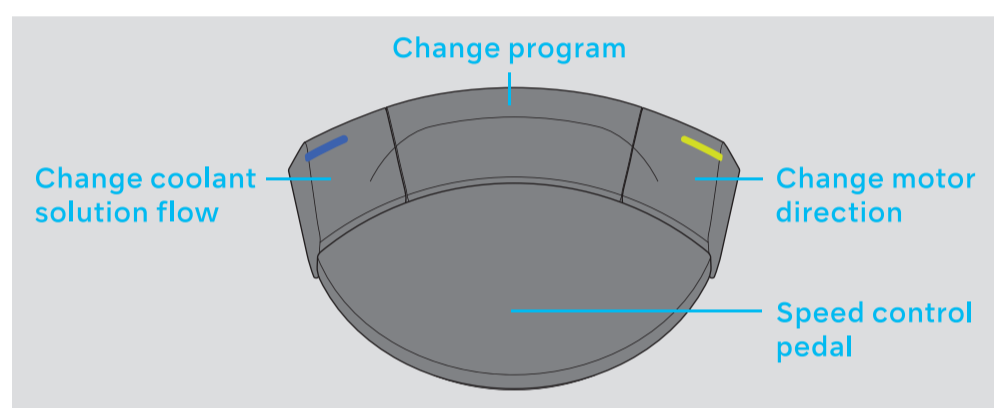


Control panel

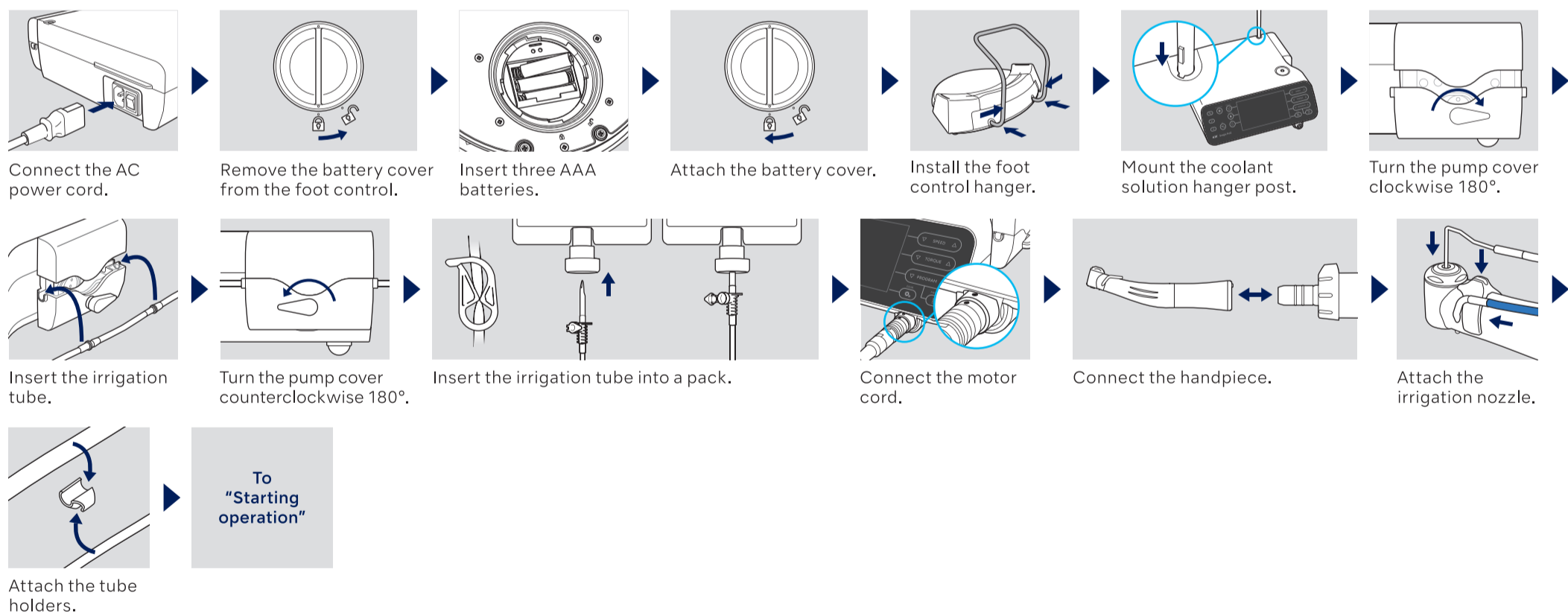


Foot control

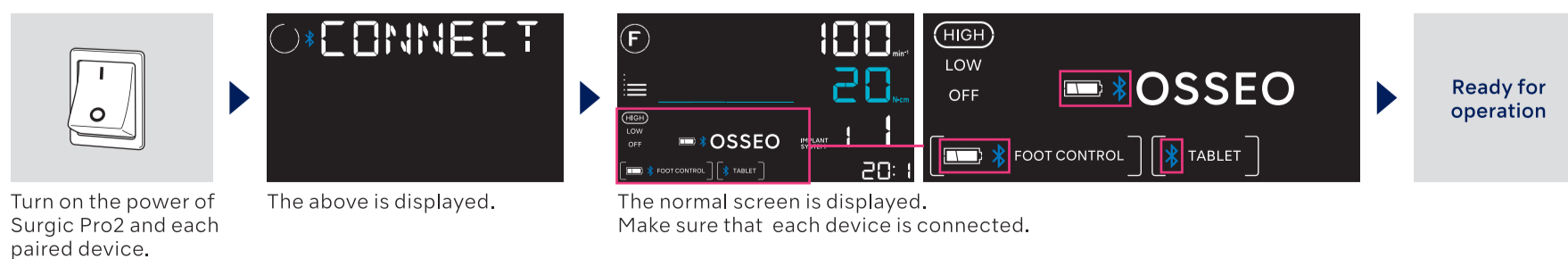


A	Rotation speed	I	Battery level of the foot control
B	Torque	J	Status of connection with the foot control
C	Program No.	K	Status of connection between an external terminal and the control unit
D	Gear ratio	L	Status of connection with Osseo 100+
E	Implant system No.	M	Current operating torque level
F	Rotation direction		
G	Coolant solution flow level		
H	Light level		


Preparation for Use





Starting operation


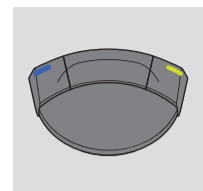




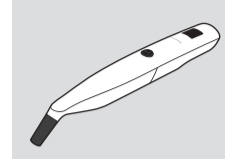
The first step after purchase (Pairing with each device)




1
At least 2 sec.

Press and hold the SETTING Key. "BLE SET" is displayed.

2

Press the ENTER Key.

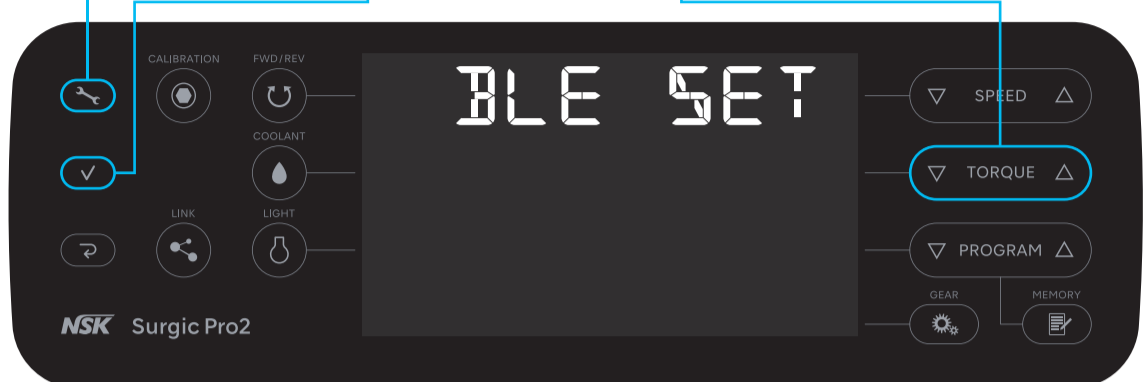
3

Press the TORQUE Key to select the device. NOTICE : The letters on the screen except "BLE SET" and "PAIRING" flash on and off.

Foot control
 → 

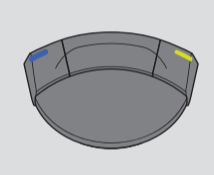
Osseo 100+
 →  → 

External terminal
 →  → 


Press the ENTER Key.



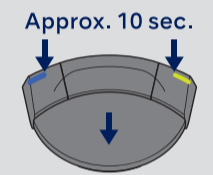
▼ Foot control




This operation is not necessary when using Surgic Pro2 for the first time after purchase. If the foot control is unpaired or when using another foot control newly purchased, conduct the following operation.
NOTICE : Paring can be done within 10 minutes after inserting the battery.




Press the ENTER Key.




Press and hold the Left and Right buttons and the pedal at the same time.



Approx. 10 sec.

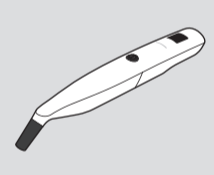



The control unit makes a beep and then "OK" will appear. Pairing is done. Make sure that the device is connected.




Press the CANCEL Key to return to the normal screen.

▼ Osseo 100+






Press the operating key to turn on the power.




At least 3 sec.


Press and hold the operating key.



"PA" is displayed.





The control unit makes a beep and then "OK" will appear. Pairing is done. Make sure that the device is connected.



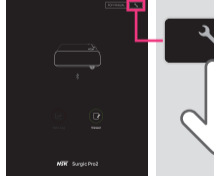
Press the CANCEL Key to return to the normal screen.

▼ External terminal

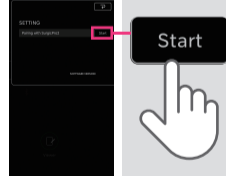




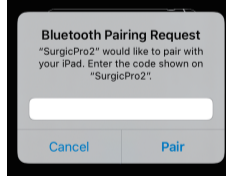
Launch the App.



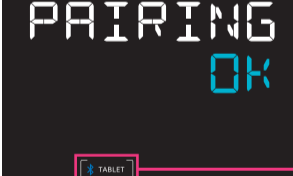
Touch the icon.




Touch "Start".




Enter the code "123456" and touch "Pair".



The control unit makes a beep and then "OK" will appear. Pairing is done. Make sure that the device is connected.





Press the CANCEL Key to return to the normal screen.



www.nsk-dental.com/qr/app-surgicpro2